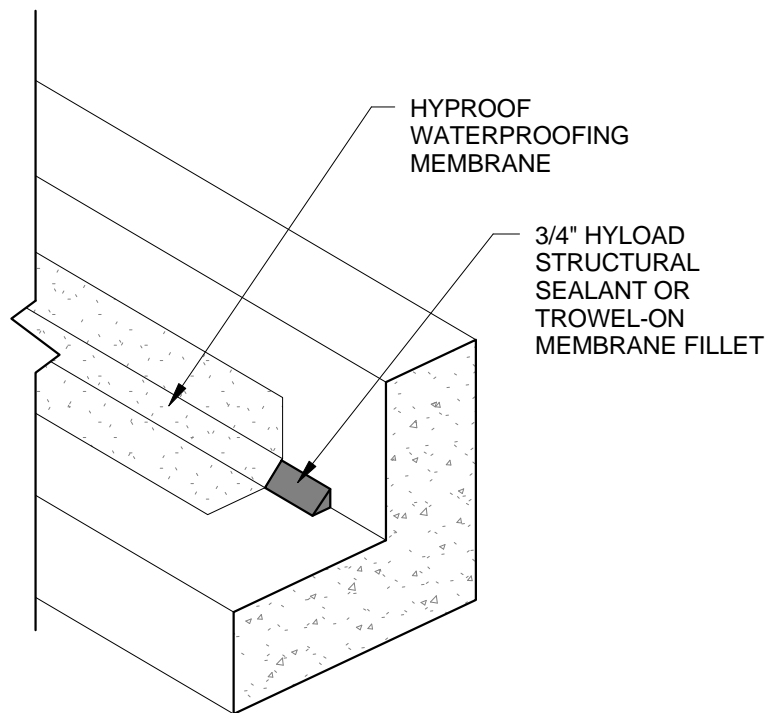


NOTE:
 ANY MEMBRANE LAP
 REQUIRED IS TO BE A
 MINIMUM OF 3" OVERLAP HOT
 AIR WELDED LOCATED A
 MINIMUM OF 6" FROM EITHER
 AN INSIDE OR OUTSIDE
 CORNER



5020 Enterprise Parkway
 Seville, Ohio 44273
 Phone: (800) 457-4056

Title: CORNER DETAILS

Detail Number: **WP015**