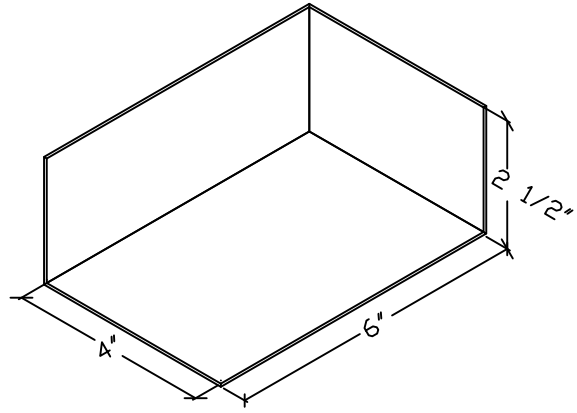
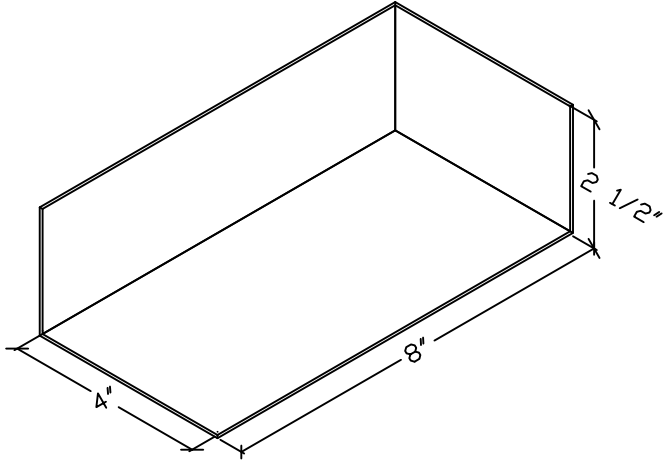


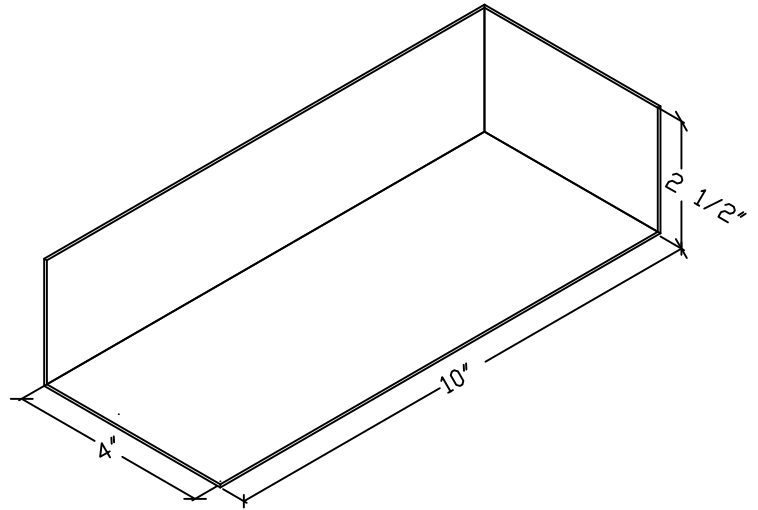
END DAM 4"



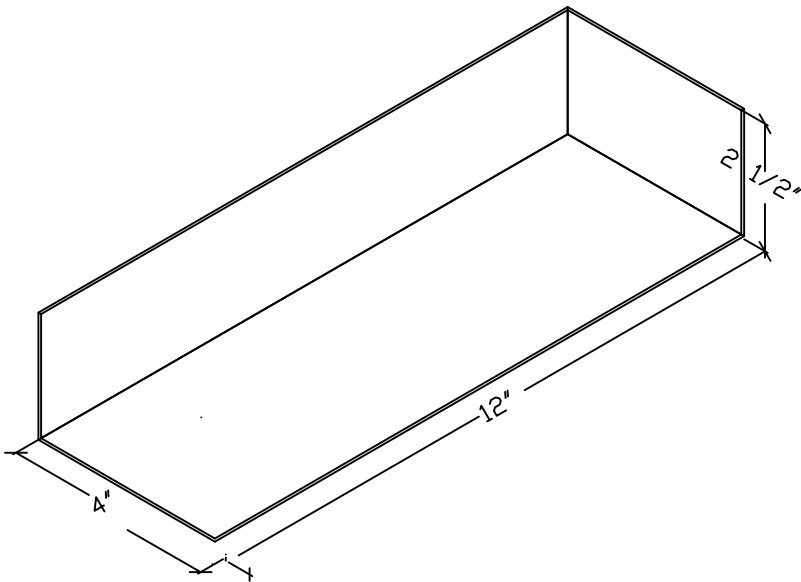
END DAM 6"



END DAM 8"



END DAM 10"



END DAM 12"



HyTUF™
The Ultimate Flashing System

CORPORATE HEADQUARTERS
5020 ENTERPRISE PARKWAY
SEVILLE, OHIO 44273
PHONE: (800) 457-4056
FAX: (330) 769-4153

END DAM PREFORMED
SHAPES

DWG NO.