

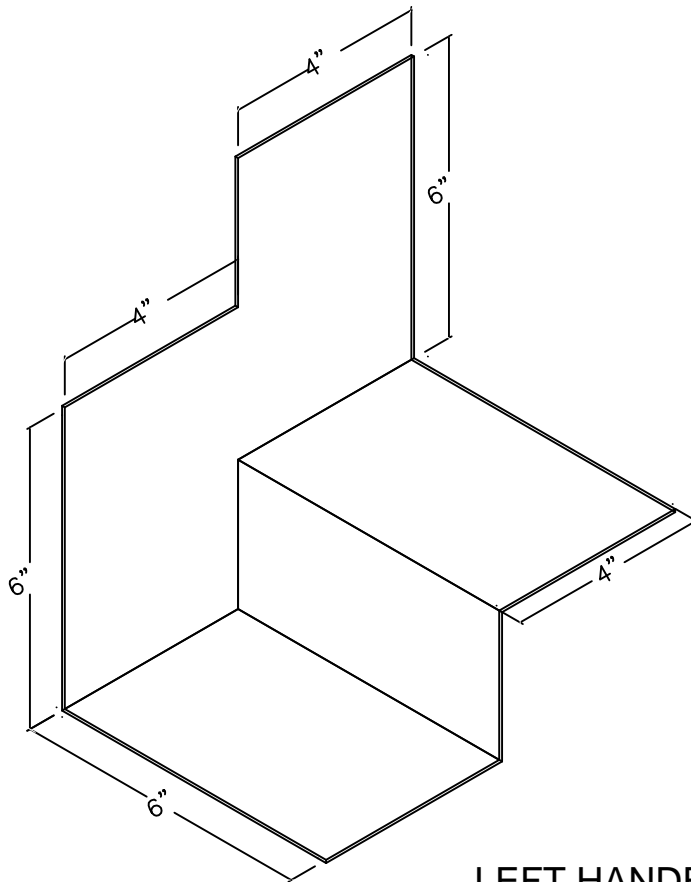
THE 4" LEVEL CHANGE IS USED WITH THE FOLLOWING BRICK TYPES:

STANDARD

MODULAR

NORMAN

THE RISE INCLUDES AN ALLOWANCE FOR A 3/8" MORTAR JOINT



LEFT HANDED SHOWN



HyTUF™
The Ultimate Flashing System

CORPORATE HEADQUARTERS

5020 ENTERPRISE PARKWAY
SEVILLE, OHIO 44273
PHONE: (800) 457-4056
FAX: (330) 769-4153

LEVEL CHANGE 3"

DWG NO.