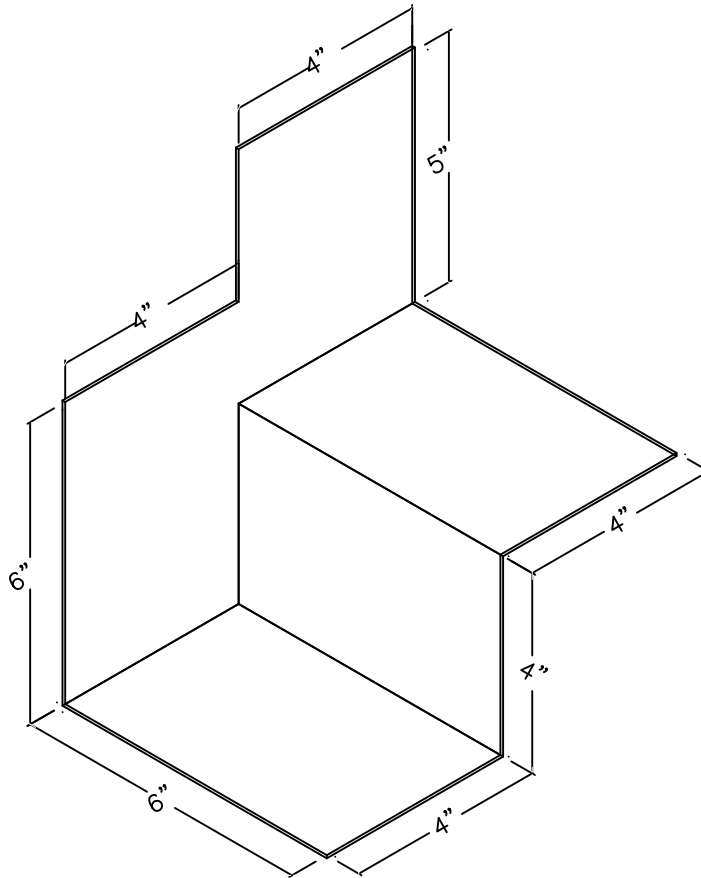


THE 4" LEVEL CHANGE IS USED WITH THE FOLLOWING BRICK TYPES:  
UTILITY  
THE RISE INCLUDES AN ALLOWANCE FOR A 3/8" MORTAR JOINT



LEFT HANDED SHOWN



**HyTUF™**  
*The Ultimate Flashing System*

CORPORATE HEADQUARTERS

5020 ENTERPRISE PARKWAY  
SEVILLE, OHIO 44273  
PHONE: (800) 457-4056  
FAX: (330) 769-4153

LEVEL CHANGE 4"

DWG NO.