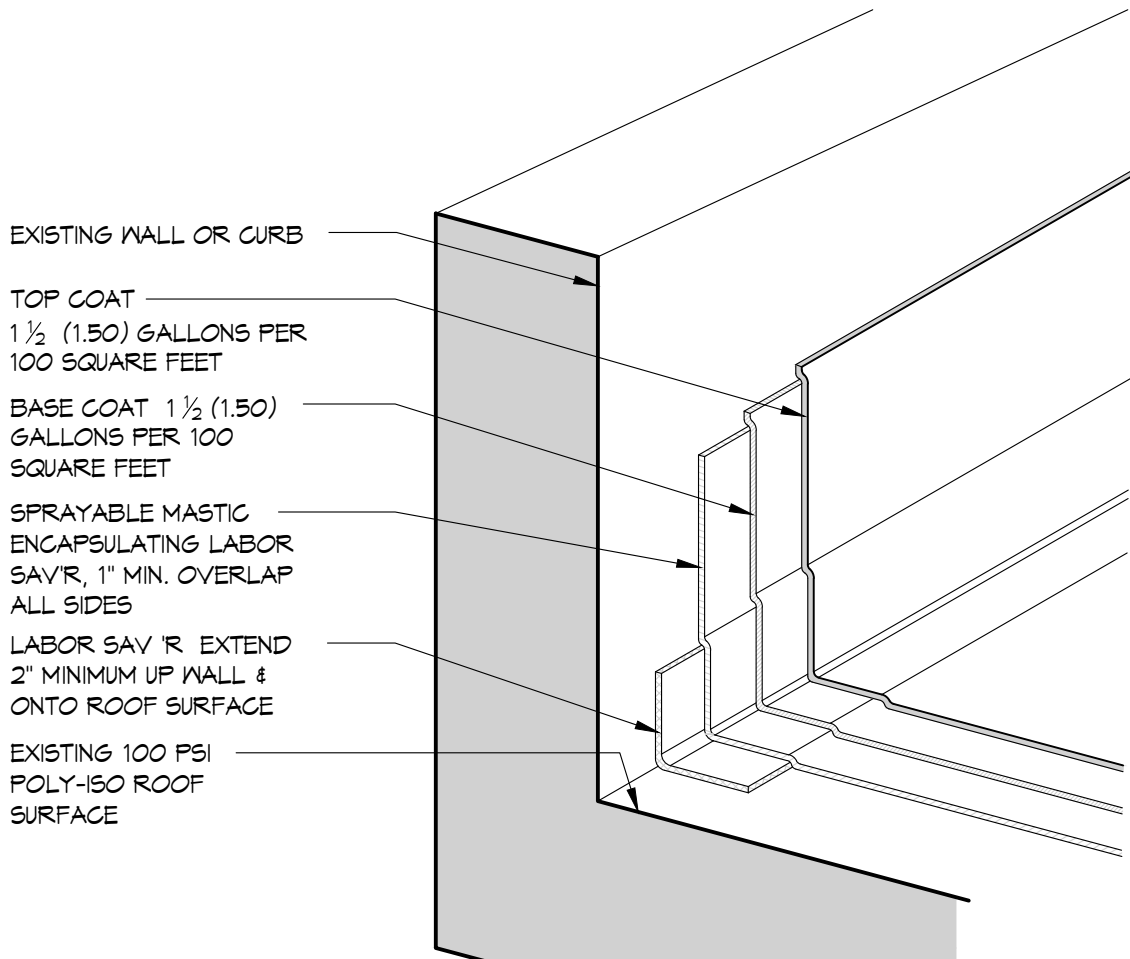




HYLOAD[®]
Keeping the elements out.[®]



HyKOTE[™]
Elastomeric Roofing & Waterproofing

CORPORATE HEADQUARTERS

5020 ENTERPRISE PARKWAY
 SEVILLE, OHIO 44273
 PHONE: (800) 457-4056
 FAX: (330) 769-4153

**HYKOTE APPLICATION AT CURB
 AND/OR WALL**

Detail for Application on Existing
 100 PSI Poly-Iso Roofing Systems

DWG NO.

HK PI001