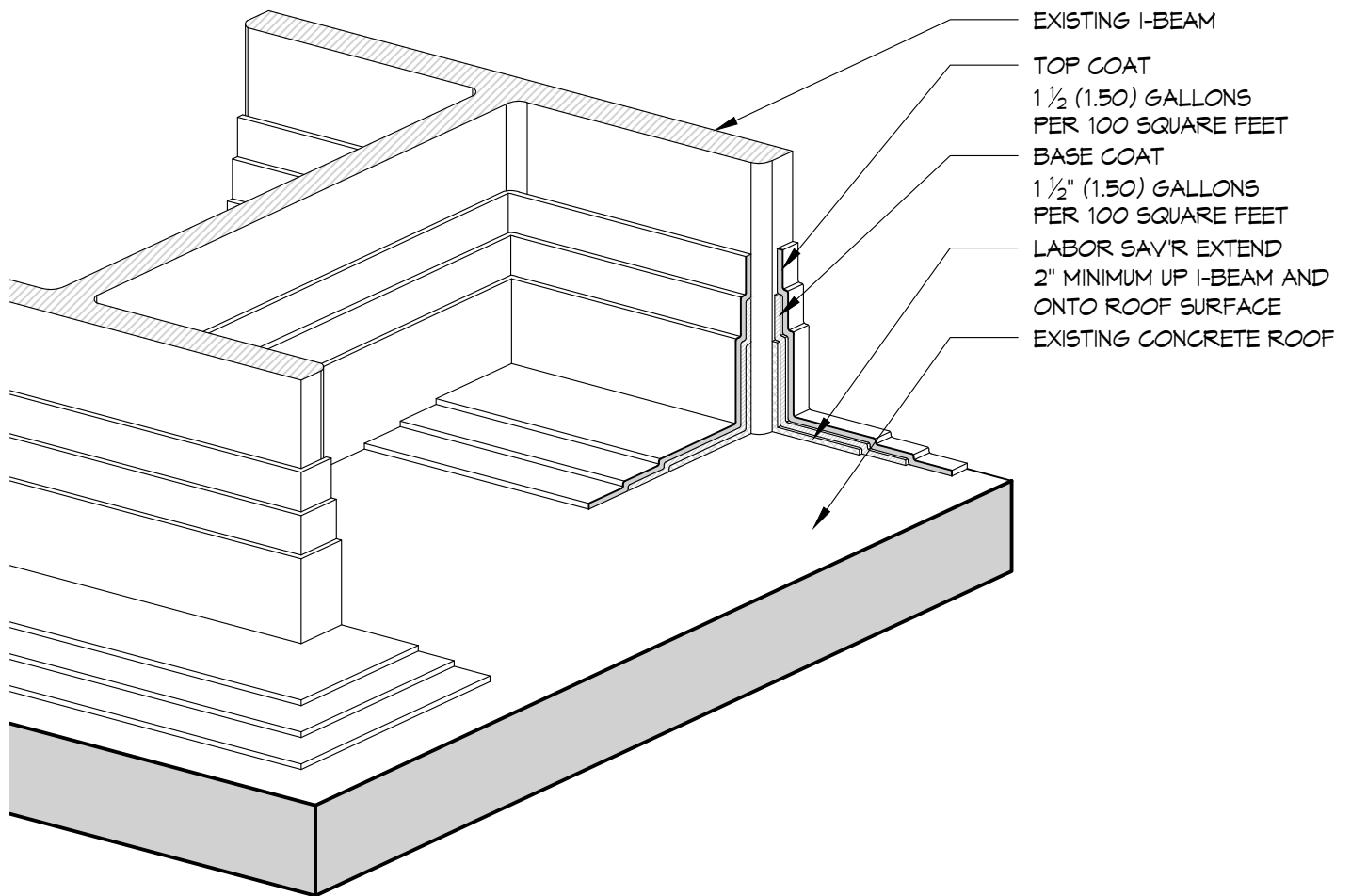




HYLOAD[®]
Keeping the elements out.[®]



HyKOTE[™]
Elastomeric Roofing & Waterproofing

CORPORATE HEADQUARTERS

5020 ENTERPRISE PARKWAY
 SEVILLE, OHIO 44273
 PHONE: (800) 457-4056
 FAX: (330) 769-4153

**HYKOTE APPLICATION AT
 I BEAM SUPPORT**
 Detail for Application on Existing
 Concrete Roofing Systems

DWG NO.

HK C005