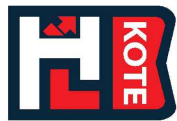
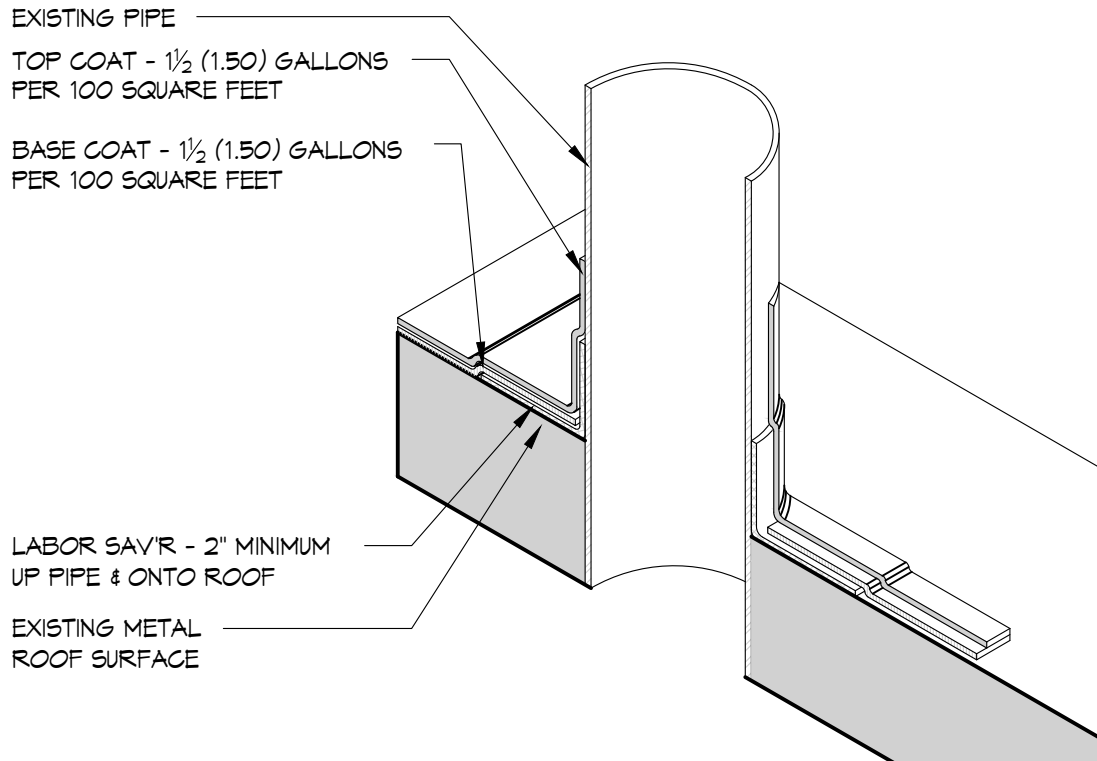




HYLOAD[®]
Keeping the elements out.[®]



HyKOTE[™]
Elastomeric Roofing & Waterproofing

CORPORATE HEADQUARTERS

5020 ENTERPRISE PARKWAY
SEVILLE, OHIO 44273
PHONE: (800) 457-4056
FAX: (330) 769-4153

**HYKOTE APPLICATION AT PIPE
PENETRATION**

**Detail for Application on Existing
Metal Roofing**

DWG NO.

HK M005

WWW.HYLOAD.COM