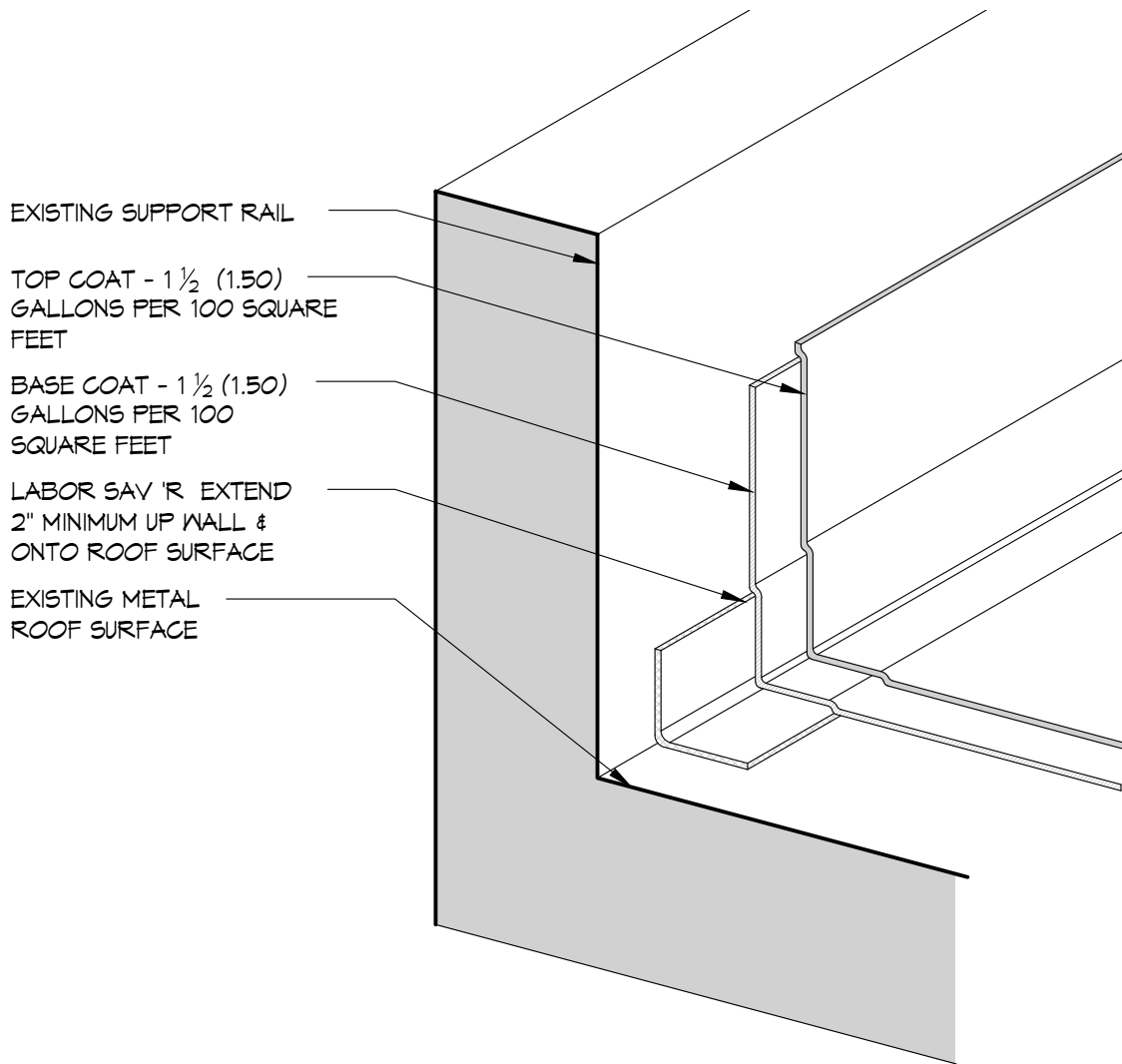




**HYLOAD**<sup>®</sup>  
Keeping the elements out.<sup>®</sup>



**HyKOTE**<sup>™</sup>  
*Elastomeric Roofing & Waterproofing*

CORPORATE HEADQUARTERS

5020 ENTERPRISE PARKWAY  
SEVILLE, OHIO 44273  
PHONE: (800) 457-4056  
FAX: (330) 769-4153

**HYKOTE APPLICATION AT RAIL  
SUPPORT**

Detail for Application on Existing  
Metal Roofing

DWG NO.

**HK M007**

[WWW.HYLOAD.COM](http://WWW.HYLOAD.COM)