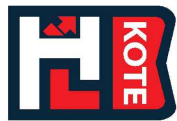
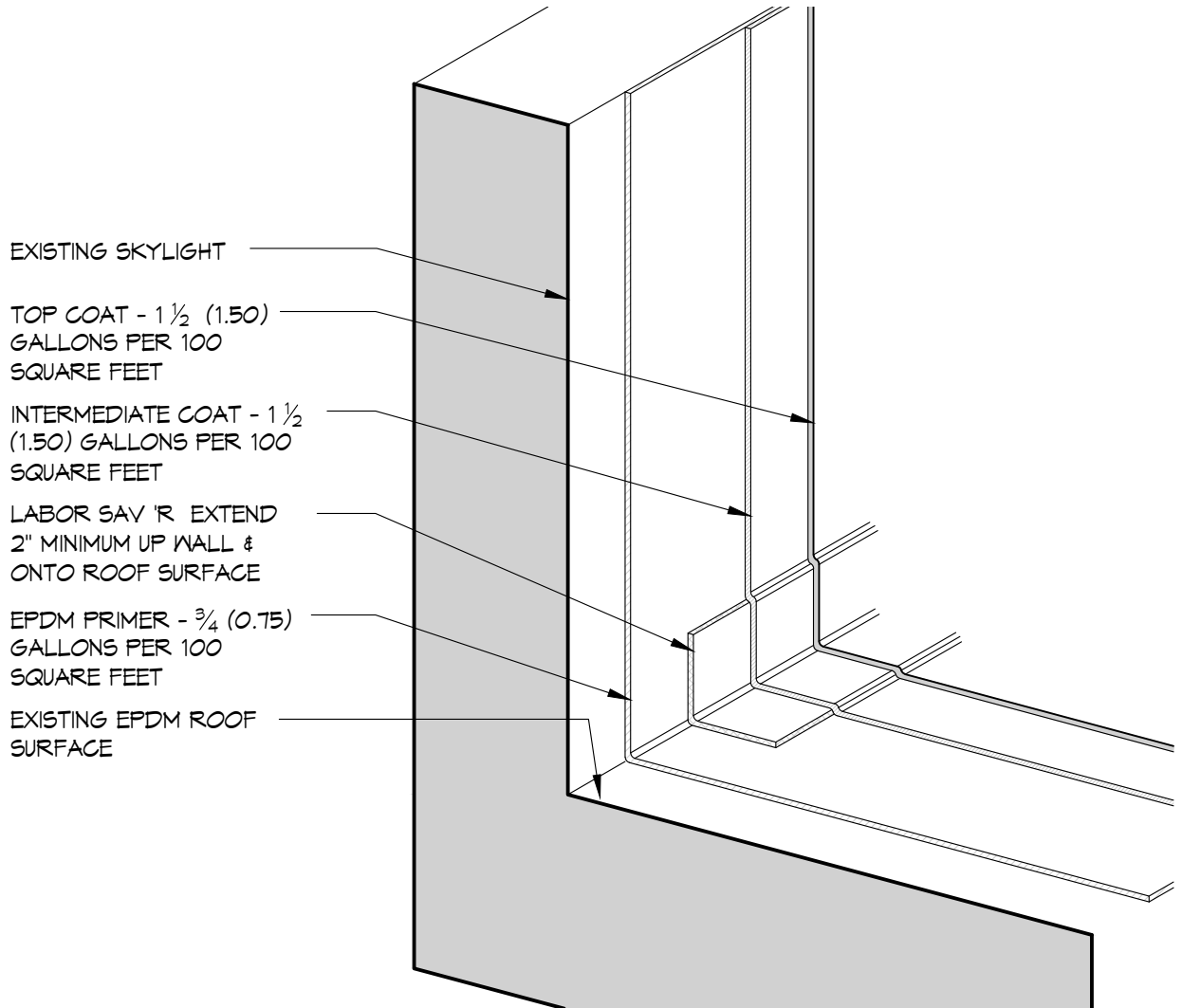




**HYLOAD**<sup>®</sup>  
Keeping the elements out.<sup>®</sup>



**HyKOTE**<sup>™</sup>  
*Elastomeric Roofing & Waterproofing*

CORPORATE HEADQUARTERS

5020 ENTERPRISE PARKWAY  
SEVILLE, OHIO 44273  
PHONE: (800) 457-4056  
FAX: (330) 769-4153

HYKOTE APPLICATION AT  
SKYLIGHT  
Detail for Application on Existing  
EPDM Roofing Systems

DWG NO.

HK E009

WWW.HYLOAD.COM