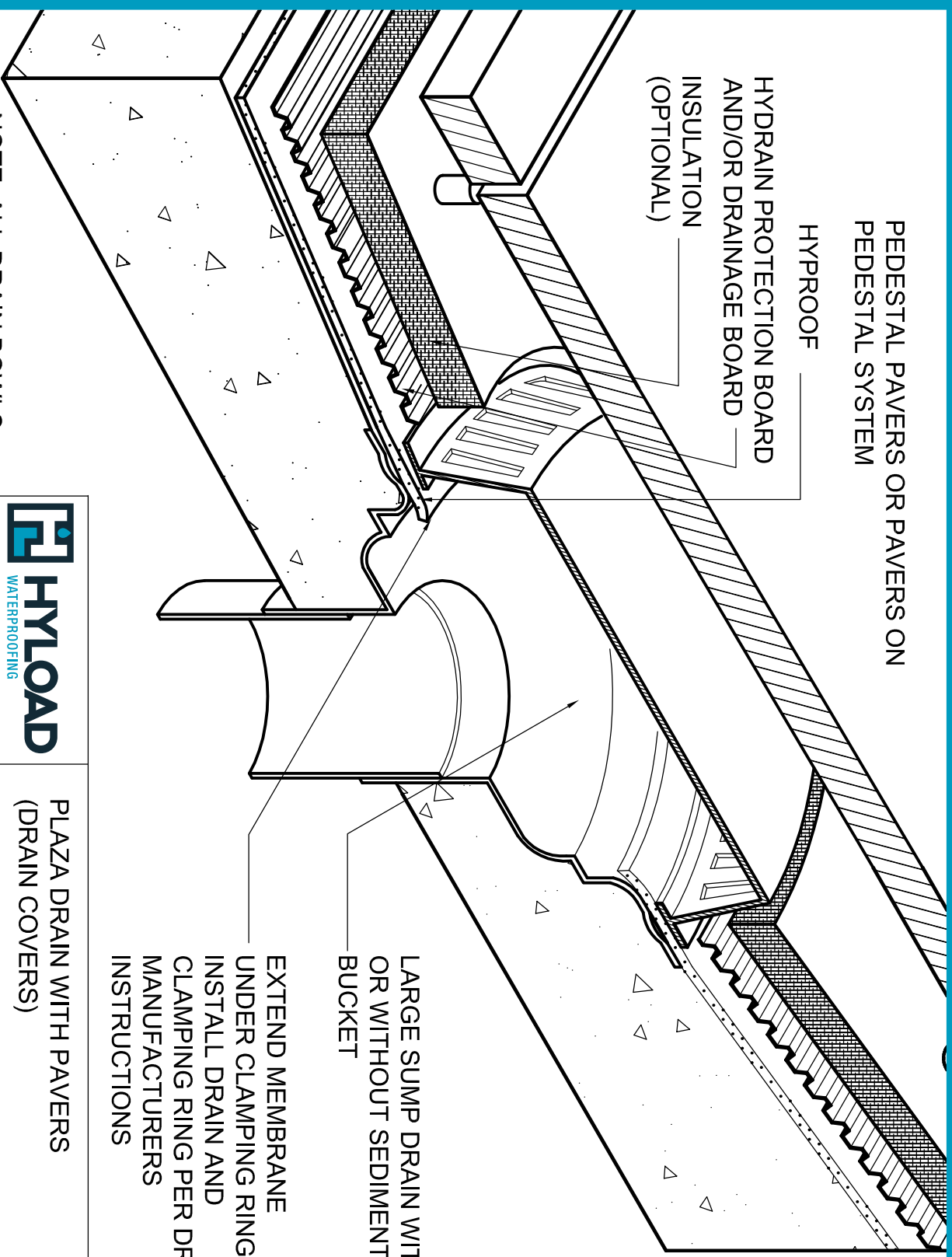


PEDESTAL PAVERS OR PAVERS ON
PEDESTAL SYSTEM



HYPROOF
HYDRAIN PROTECTION BOARD
AND/OR DRAINAGE BOARD
INSULATION
(OPTIONAL)

LARGE SUMP DRAIN WITH
OR WITHOUT SEDIMENT
BUCKET

EXTEND MEMBRANE
UNDER CLAMPING RING
INSTALL DRAIN AND
CLAMPING RING PER DRAIN
MANUFACTURERS
INSTRUCTIONS

NOTE: ALL DRAIN BOWLS
MUST BE AT OR BELOW
GRADE OF CONCRETE
DECK



CORPORATE HEADQUARTERS
5020 Panther Parkway
Seville, Ohio 44273

Phone: (800) 457-4056
Fax: (330) 769-4153

PLAZA DRAIN WITH PAVERS
(DRAIN COVERS)

SIZE	DWG. NO.	REV
A	WP20	A

SCALE	NTS	DRAWN BY	GDS	SHEET	1 of 1
-------	-----	----------	-----	-------	--------