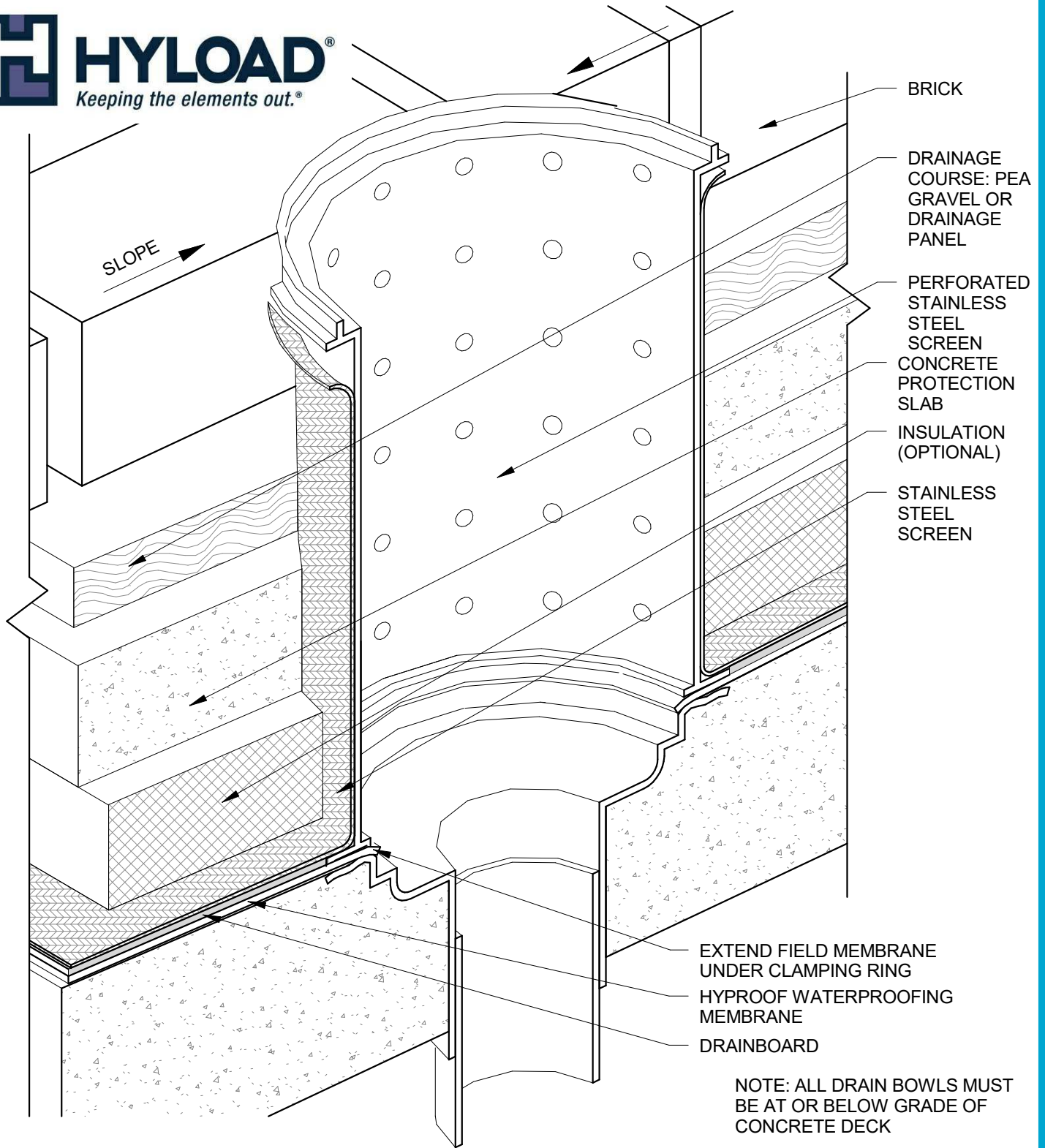




HYLOAD[®]
Keeping the elements out.[®]



NOTE: ALL DRAIN BOWLS MUST BE AT OR BELOW GRADE OF CONCRETE DECK



HyDAM[™]
Dynamic Aqua Barrier Membrane System

5020 Enterprise Parkway
Seville, Ohio 44273
Phone: (800) 457-4056

Title: PLAZA DRAIN WITH BRICKS

Detail Number: **WP020C**

WWW.HYLOAD.COM